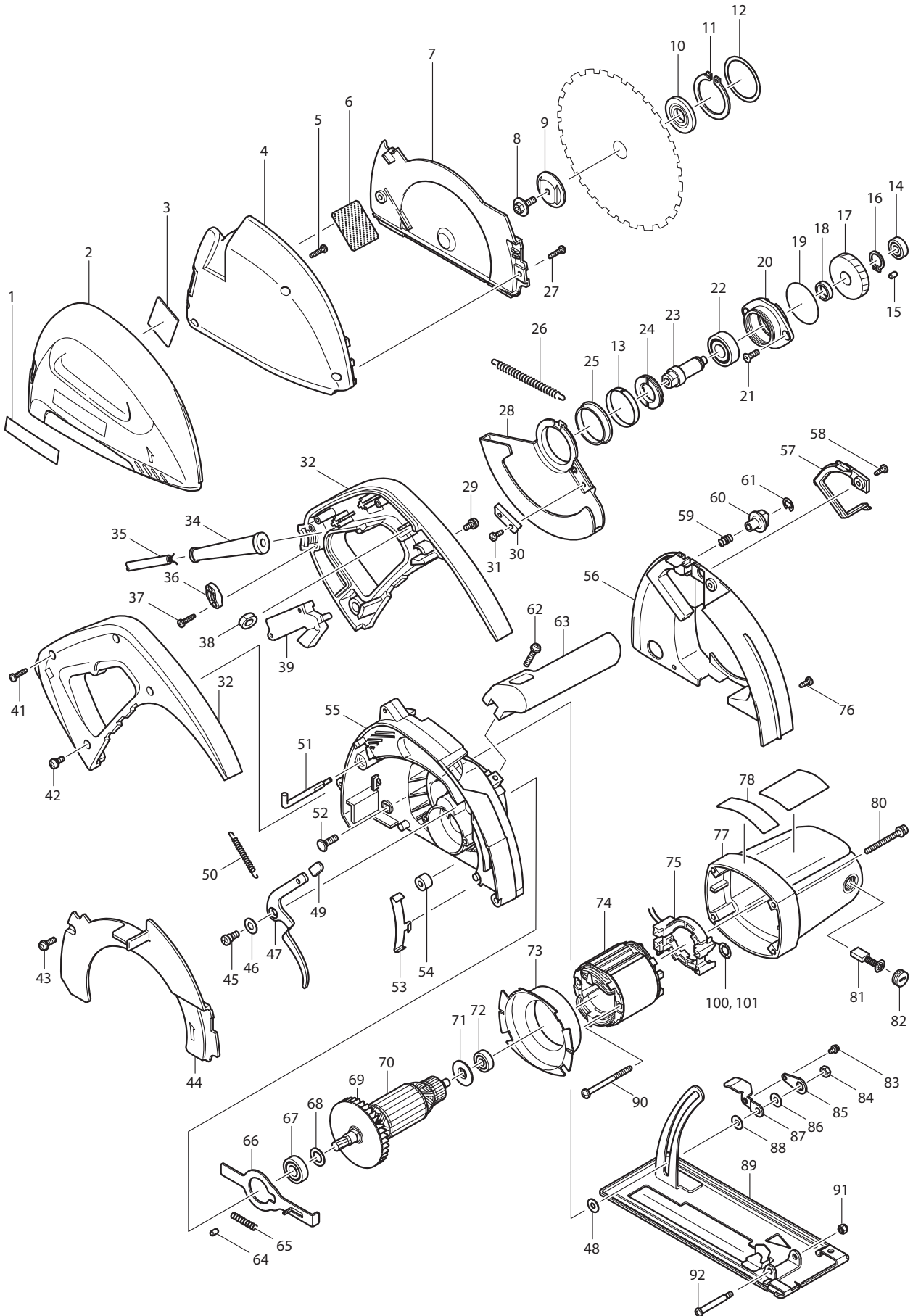




02 - 2010

4131

7-1/4" METAL CUTTER



Item No	Type	Ref	Part No	Description	Qty	Unit
001			819064-1	MAKITA MARK	1	PC.
002			183836-3	DUST CASE COVER	1	PC.
		INC.		Item No. 1		
003			431005-3	HEAT RESISTING GLASS	1	PC.
004	1		317776-5	* DUST CASE	1	PC.
005	1		265995-6	* TAPPING SCREW 4X18	2	PC.
005			265995-6	TAPPING SCREW 4X18	2	PC.
006			343760-4	PUNCHING METAL COVER	1	PC.
007			317777-3	DUST PLATE	1	PC.
008	2		266458-5	HEX.SOCKET HEX.BOLT M6X18	1	PC.
009			224366-6	OUTER FLANGE 40	1	PC.
010			224151-7	INNER FLANGE 40	1	PC.
011			961201-4	RETAINING RING S-42	1	PC.
012			267784-5	WASHER 42	1	PC.
013			343759-9	THICKNESS RING	1	PC.
014			211031-6	BALL BEARING 608LLB	1	PC.
015			263002-9	RUBBER PIN 4	1	PC.
016			961055-9	RETAINING RING S-15	1	PC.
017			226591-5	HELICAL GEAR 48	1	PC.
018			257053-2	RING 15	1	PC.
019			213621-1	O RING 46	1	PC.
020			316579-4	BEARING BOX	1	PC.
021			251372-8	+ COUNTERSUNK HEAD SCREW M5X12	2	PC.
022			211228-7	BALL BEARING 6202DDW	1	PC.
023			324475-2	SPINDLE	1	PC.
024			285807-7	BEARING RETAINER 22-36	1	PC.
025	1		345422-0	SPACER	1	PC.
	2		346880-3	SPACER	1	PC.
026	2		231891-0	* TENSION SPRING 4	1	PC.
027			265995-6	TAPPING SCREW 4X18	2	PC.
028			317775-7	SAFETY COVER	1	PC.
029			911213-7	PAN HEAD SCREW M5X12	2	PC.
030			344944-7	SUB PLATE	1	PC.
031			266026-4	TAPPING SCREW BIND CT 4X12	1	PC.
032			183826-6	HANDLE SET	1	SET
034			682503-2	CORD GUARD 8-90	1	PC.
035			664265-4	CORD WITH PLUG 2P-16-2.5M SJ	1	PC.
036			687063-9	CORD CLAMP	1	PC.
037			265995-6	TAPPING SCREW 4X18	2	PC.
038			421492-4	SPONGE RING	1	PC.
039			651057-0	SWITCH TG71CL-2	1	PC.
041			265995-6	TAPPING SCREW 4X18	2	PC.
042			911213-7	PAN HEAD SCREW M5X12	2	PC.
043			911223-4	PAN HEAD SCREW M5X16	1	PC.
044			317778-1	BLADE COVER	1	PC.
045			251267-5	+ PAN HEAD SCREW H6	1	PC.
046			941201-0	FLAT WASHER 8	1	PC.
047			345421-2	OPEN LEVER	1	PC.
048	2		253783-3	FLAT WASHER 6	1	PC.
049			421903-9	RUBBER CAP	1	PC.
050			231823-7	TENSION SPRING 4	1	PC.
051			324476-0	HOOK	1	PC.
052			266031-1	CAP SQUARE NECK BOLT M6X20	1	PC.

Item No	Type	Ref	Part No	Description	Qty	Unit
053			343758-1	PROTECTOR	1	PC.
054			262511-5	RUBBER SLEEVE 6	1	PC.
055			153924-0	GEAR HOUSING COMPLETE	1	PC.
		INC.		Item No. 15,64		
056			418612-9	GEAR HOUSING COVER	1	PC.
057			418613-7	LEAD COVER	1	PC.
058			266026-4	TAPPING SCREW BIND CT 4X12	1	PC.
059			231402-1	COMPRESSION SPRING 7	1	PC.
060			271421-5	THUMB PIPE 23	1	PC.
061			961017-7	STOP RING E-3	1	PC.
062			911243-8	PAN HEAD SCREW M5X25	2	PC.
063			415469-9	GRIP	1	PC.
064			263002-9	RUBBER PIN 4	1	PC.
065			233092-6	COMPRESSION SPRING 5	1	PC.
066			343832-5	SHAFT LOCK	1	PC.
067			211131-2	BALL BEARING 6001DDW	1	PC.
068			253744-3	FLAT WASHER 12	1	PC.
069			241876-8	FAN 76	1	PC.
070			513576-3	ARMATURE ASS'Y 115V	1	PC.
		INC.		Item No. 67-69,71,72		
071			681634-4	INSULATION WASHER	1	PC.
072			211031-6	BALL BEARING 608LLB	1	PC.
073			415467-3	BAFFLE PLATE	1	PC.
074			634511-9	FIELD 115V	1	PC.
075			638358-3	SUPPORT COMPLETE	1	PC.
076			266026-4	TAPPING SCREW BIND CT 4X12	3	PC.
077			159685-0	MOTOR HOUSING COMPLETE	1	PC.
		INC.				
			643754-2	BRUSH HOLDER	2	PC.
078			816816-1	INDICATION LABEL	1	PC.
079			860463-0	NAME PLATE F/4131	1	PC.
080			911263-2	PAN HEAD SCREW M5X40	4	PC.
081	2		194996-6	CARBON BRUSH CB-303 2PC/SET (W/ ORIGIN)	1	SET
082	2		643515-0	HOLDER CAP 7-11	2	PC.
083			911108-4	PAN HEAD SCREW M4X8	1	PC.
084			252135-5	HEX. NUT	1	PC.
085			341718-7	LOCK PLATE	1	PC.
086			253804-1	FLAT WASHER 6	1	PC.
087			342907-7	LEVER PLATE	1	PC.
088			253804-1	FLAT WASHER 6	1	PC.
089			165387-8	BASE	1	PC.
090			266029-8	TAPPING SCREW 5X65	2	PC.
091			252103-8	HEX. LOCK NUT M5-8	1	PC.
092			265075-8	+ PAN HEAD SCREW H5	1	PC.
100			654020-2	RING TERMINAL (F/ Item No. 75)	2	PC.
101			654501-6	CONNECTOR P-1.25 (F/ Item No. 75)	2	PC.
C01			846630-1	CARTON F/4131	1	PC.

Item No	Type	Ref	Part No	Description	Qty	Unit
ACCESSORIES			- See Catalogue or visit www.makita.ca for more accessories -			
A02			783203-8	HEX. WRENCH 5	1	PC.
A03			A-93815	7-1/4" CERMET SAW BLADE 36 TEETH	1	PC.
	Opt		A-93837	7-1-4" C.T. SAW BLADE 48 TEETH	1	PC.
	Opt		A-93843	7-1/4" C.T. SAW BLADE 70 TEETH	1	PC.
A04			A-95875	7-1/4" CT BLADE 64T 5/8" F/METAL, STAINLESS STEEL	1	PC.
A05			164095-8	RIP FENCE	1	PC.
A06			265701-9	SCREW M6X14 (F/A05)	1	PC.
A07			410047-0	WRENCH HOLDER 5.6	1	PC.

SERVICE CHANGES

1. Changes on Tension Spring 4

(TI#A5529)

Item No.	Description	Type 1	Type 2
26	Tension Spring 4	231828-7	231891-0

